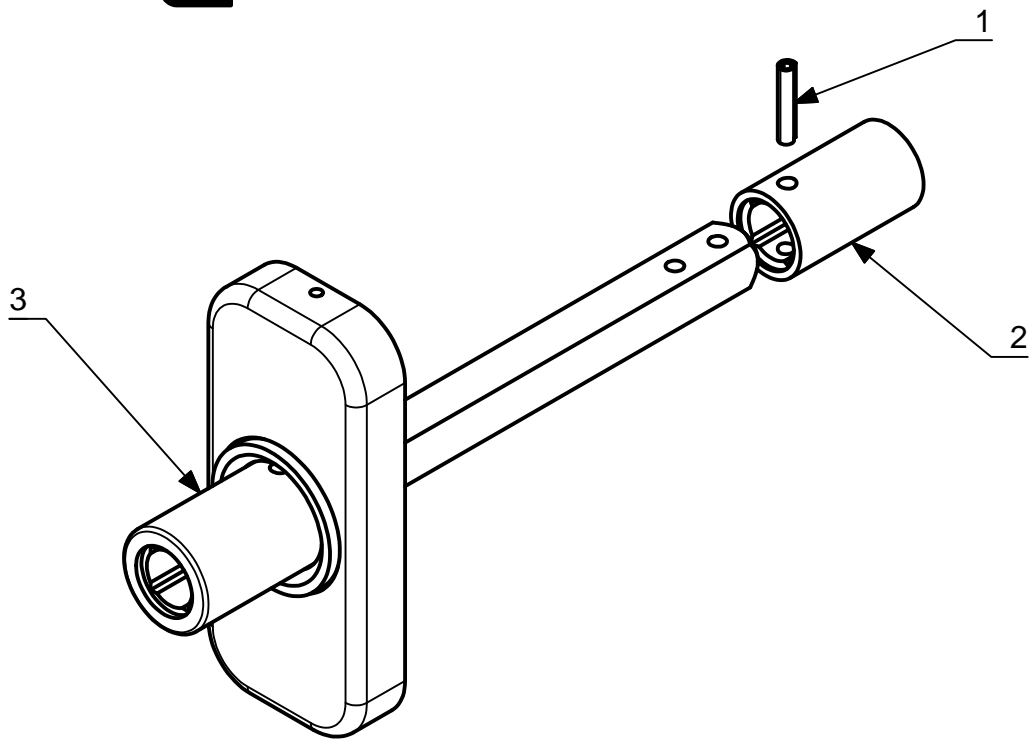
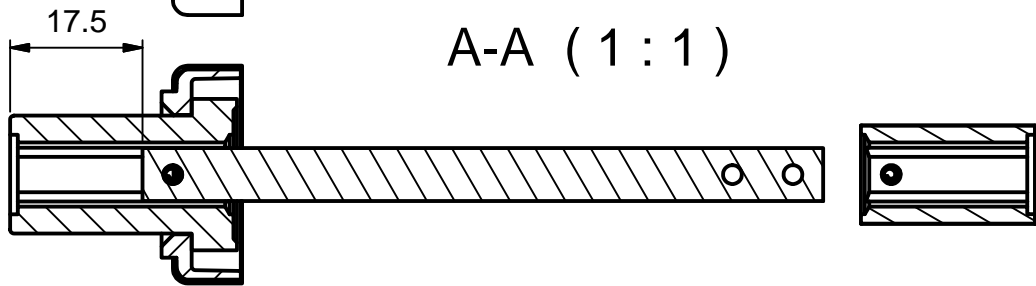
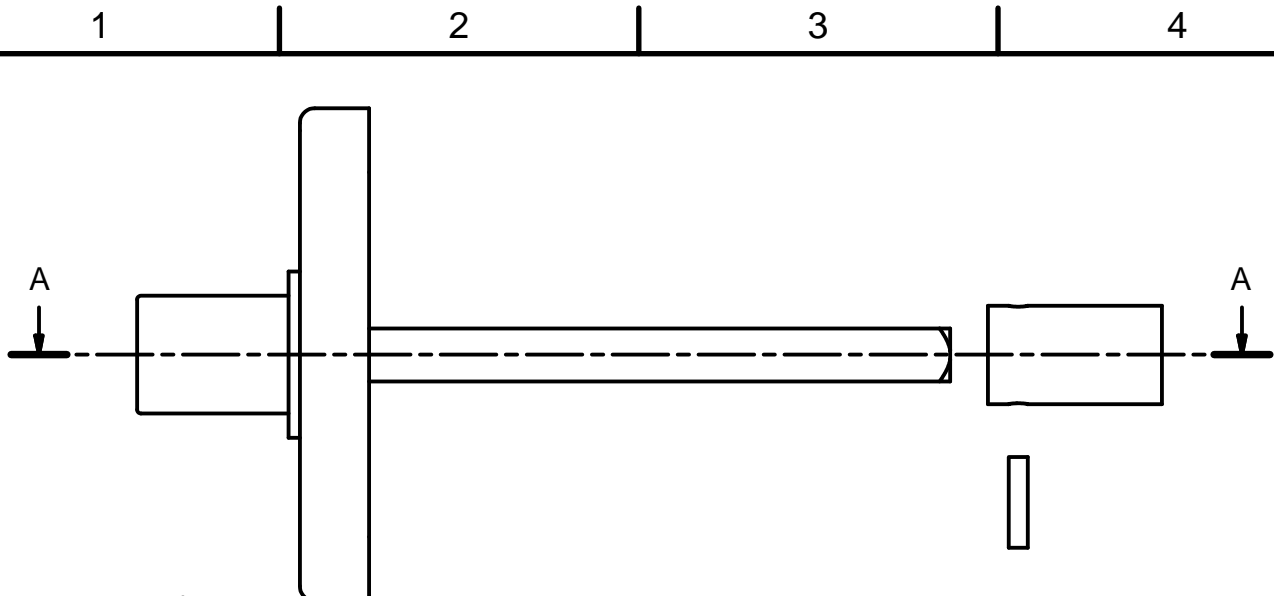


The reproduction, distribution and utilization of this document as well as the communication of its contents to others without express authorization is prohibited. Offenders will be held liable for the payment of damages. All rights reserved in the event of the grant of a patent, utility model or design.



Nota : Référence RIVALU R10712
 Piece 1 : inox A2
 Piece 2 et 3 : Matiere: Zamak
 Finition: chromé velours

	Additional Information		Material		Date	Name	Scale
					Drawn	19/05/2008 DELPECHP	
						Approved	28/08/2013 LAMBOLEZG
Volume	N/A	Weight	N/A	Area	N/A	Commercial Coding No.	940085
			Firman Lock				
			Fermeture accès Pompiers				
	Drawing conformity update	01/08/2013	LAMBOLEZG	Denomination	Doc No. DOC-0000436971		Index D
	modif material sub assembly	15/04/2013	LANASPEZEE		Coding No.		Index
	Design Modification	05/10/2010	LEFEVRE		6940085		B
Index	Alteration	Date	Name				