

## Description

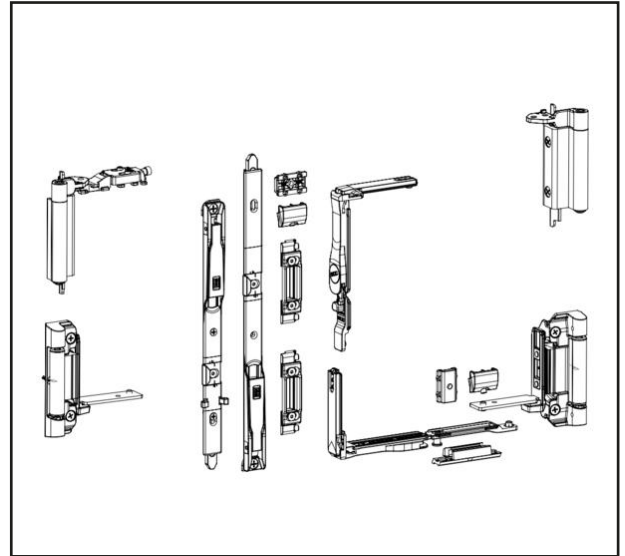
Base kit for windows with tilt-before-turn opening and 2 sashes. Includes Classic hinges up to 120 kg and lever pins for second sash.

This kit must be accompanied by a cremone or handle and a tilt-before-turn friction stay for the active sash.

The hinges are mounted on both hands, one for right sash and the other for the left sash.

The kit includes a bottom corner drive with mushroom and a specific tilt-before-turn operation striker.

For further information about the hinges, please consult the Classic hinges' technical data sheet.



## References

**112011D\*\***

Tilt-before-turn base kit for 2 sashes. For right main sash.

**112011I\*\***

Tilt-before-turn base kit for 2 sashes. For left main sash.