

TECHNICAL DATA SHEET

TILT & TURN HINGES FOR EUROGROOVE PROFILES

STAC

STANDARDS

The article **TILT & TURN HINGES FOR EUROGROOVE PROFILES** has been tested in accordance with the following standards:

> **UNE-EN 13126-8:2018** Building hardware. Hardware for windows and door height windows.

Part 8: Requirements and test methods for Tilt and Turn, Tilt-First and Turn-Only hardware.

> **UNE-EN 1670:2007** Building hardware. Corrosion resistance. Requirements and test methods.

The trials and results are the following:

DURABILITY (15.000 tilt cycles)	SATISFACTORY
DURABILITY (5.000 turn cycles)	SATISFACTORY
ADDITIONAL LOAD TEST (+ 1000 N)	SATISFACTORY
EXTERNAL OBSTACLE TEST	SATISFACTORY
INTERNAL OBSTACLE TEST	SATISFACTORY



CLASSIFICATION FOR TILT & TURN HARDWARE

1	2	3	4	5	6	7	8	9
-	4	120	0	1	4	-	8	S.R.W. = 1300 / S.R.H. = 1200

The values have been obtained in the CIDEMCO - TECNALIA Test Laboratory following the standard **UNE-EN 13126-8:2008** complying with the procedure written in the mentioned standard.

Digit 1	Category of use	No requirements
Digit 2	Durability	Grade 4 - 15.000 cycles
Digit 3	Mass	120 kg
Digit 4	Fire resistance	Grade 0 - No requirements
Digit 5	Safety in use	Grade 1 - Safety application
Digit 6	Corrosion resistance	Grade 4 - Very high corrosion resistance. Recommended for use in exposed marine atmospheres or very polluted industrial environments.
Digit 7	Security	No requirements
Digit 8	Applicable part	Tested according to this European Standard, UNE-EN 13126-8.
Digit 9	Test sizes	S.R.W (sash rebate width) = 1300 mm / S.R.H (sash rebate height) = 1200 mm

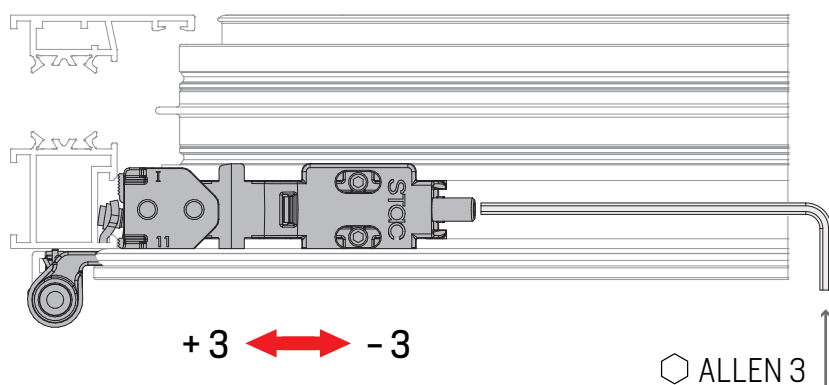
REFERENCES

B1113	**	ACTIVE SASH TILT & TURN HINGES KIT
B1114	**	PASSIVE SASH TILT & TURN HINGES KIT

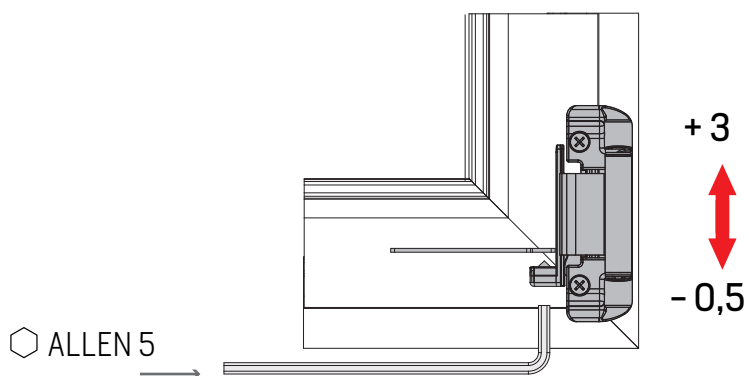
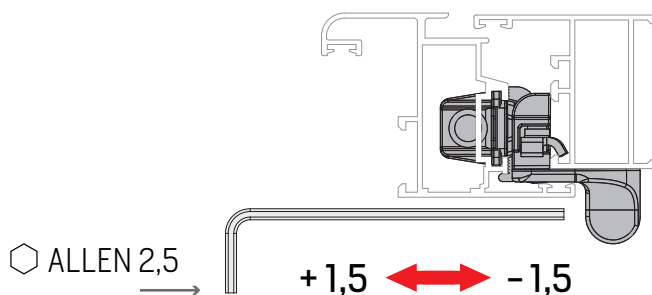
** FINISHES

■ **ADJUSTMENTS**

PASSIVE SASH

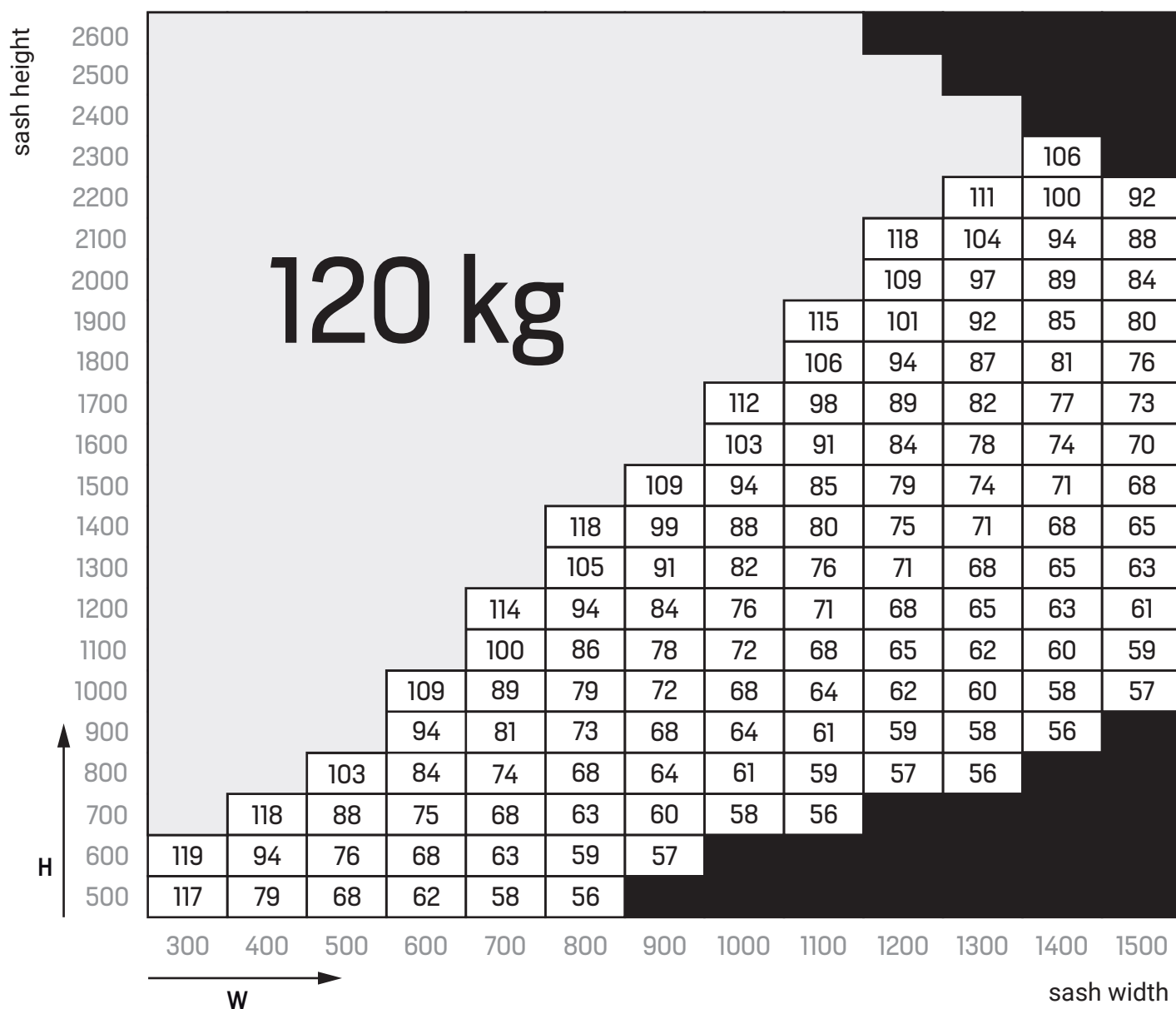


ACTIVE SASH



■ **WEIGHT CONFIGURATION**

The limits set for the active sash tilt & turn hinges kit for Eurogroove profiles are the following:



120 kg	Configuration with maximum weight
XX	Configuration with weight limitation
■	Configuration not possible

In case of configurations needed for windows with big dimensions and weights, STAC Technical Department should be contacted. Furthermore, the placement of the windows or cremones may also lead to changes in the provided configurations.