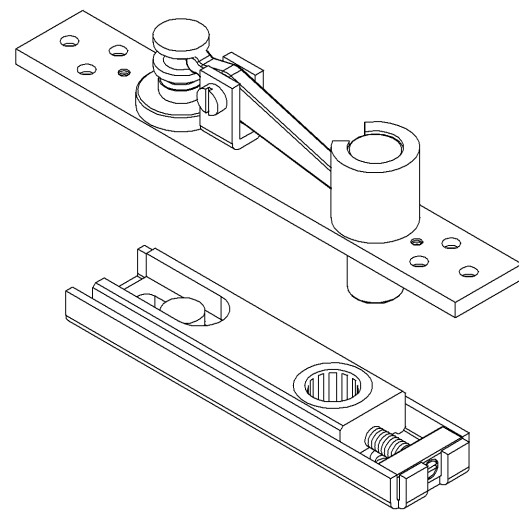
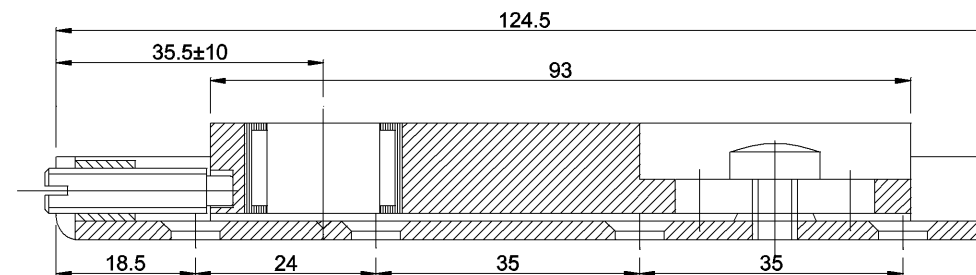
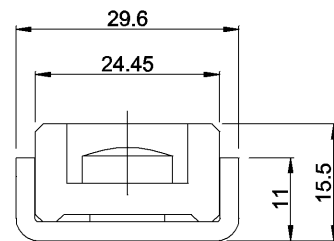
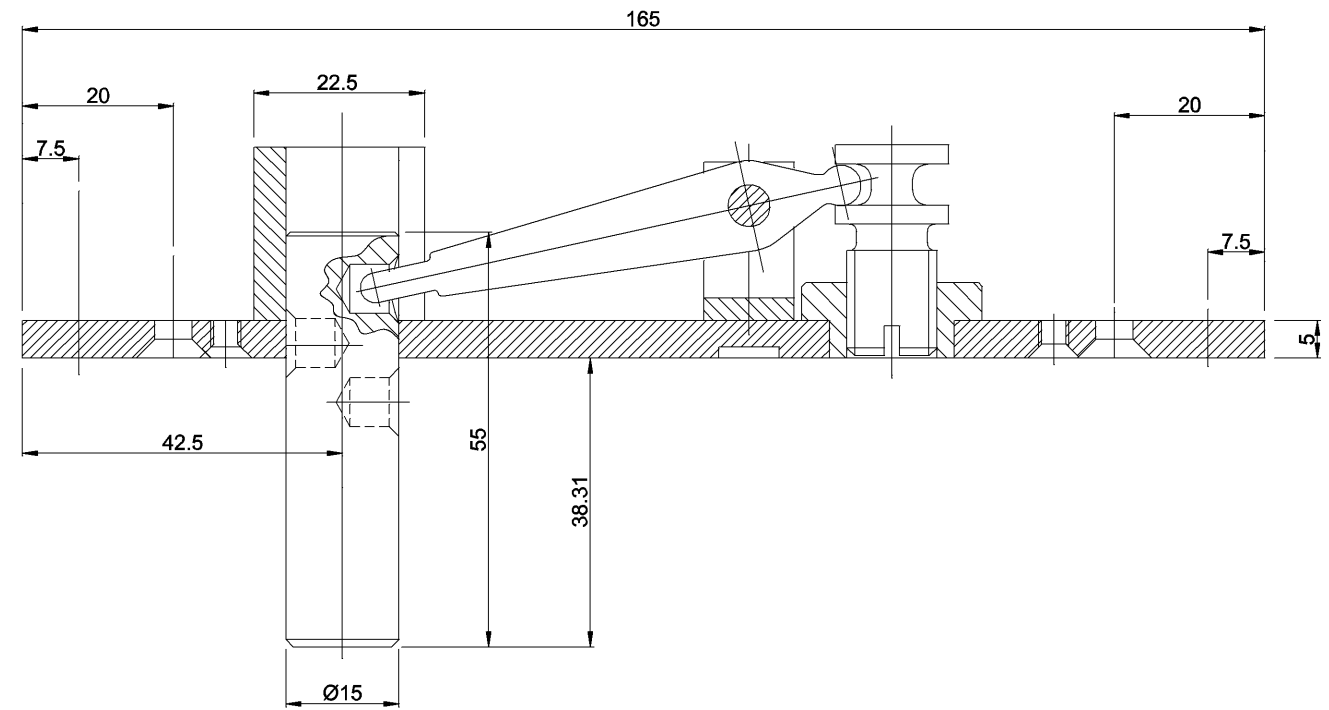
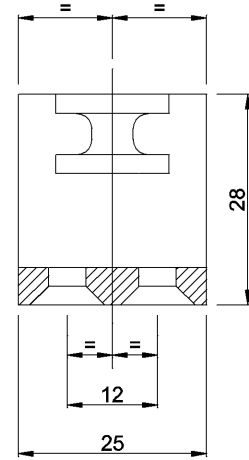


Scale 1:1



PARTIE SUPÉRIEURE : 8066 - AXE RALLONGÉ DE 10MM
 PARTIE INFÉRIEURE : 8066

D	C	B	A	09/12/2014	DOM	09/05/2012	DOM	Sign.	Roundings	# = 0.2	% = 0.4	& = 1	+ =	= =	Mark surface treatment	Approval 1
									unquoted roundings	≤ R 0.2	\$ = 0.3	* = 0.5	! = 1.5	- =		
								Visible surface	primary	secondary	Material		ACIER	Volume mm ³	0	Approval 2
								ISO-symbol	Tolerances		ARTICLE DRAWING ACCESSORIES			Approval 3		
								Scale for format A4/A3	Designed		Date		REYNAERS aluminium		Drawing	
								1:1	DOM		20/02/2008		AD.021.5668.--			