

UNE standards

The following products have been tested in accordance with the procedures described in the building hardware standards:

» **UNE-EN 1906: 2015**

Lever handles and knob furniture. Requirements and test methods.

» **UNE-EN 1670: 2007 . AC: 2008**

Corrosion resistance. Requirements and test methods.

The standard has been developed by the **Technical Committee for Standardisation CTN 85: Closure of frames in building and related products**. Secretary: ASEFAVE, Asociación Española de Fabricantes de Fachadas Ligeras y Ventanas.



Hardware classification

The values indicated below have been obtained in the **STAC Test Laboratory** in accordance with the procedures described in the European standard UNE-EN 1906: 2015, « Building hardware. Lever handles and knob furniture. Requirements and test methods. »

DIGIT	1	2	3	4	5	6	7	8
GRADE	2	6	-	0	0	4	0	B

digit 1 Use category	Grade 2: average frequency of use by persons paying attention and where there is some risk of misuse, e.g. interior office doors.
digit 2 Durability	Grade 6: average frequency of use: 100.000 opening cycles (+1%).
digit 3 Mass door	- No requirements.
digit 4 Fire resistance	Grade 0: without a specific benefit.
digit 5 Safety of use	Grade 0: normal use.
digit 6 Corrosion resistance	Grade 4: 240 hours, very high corrosion resistance.
digit 7 Security	Grade 0: without a specific benefit.
digit 8 Type of operation	Grade B: door device with handle return spring.

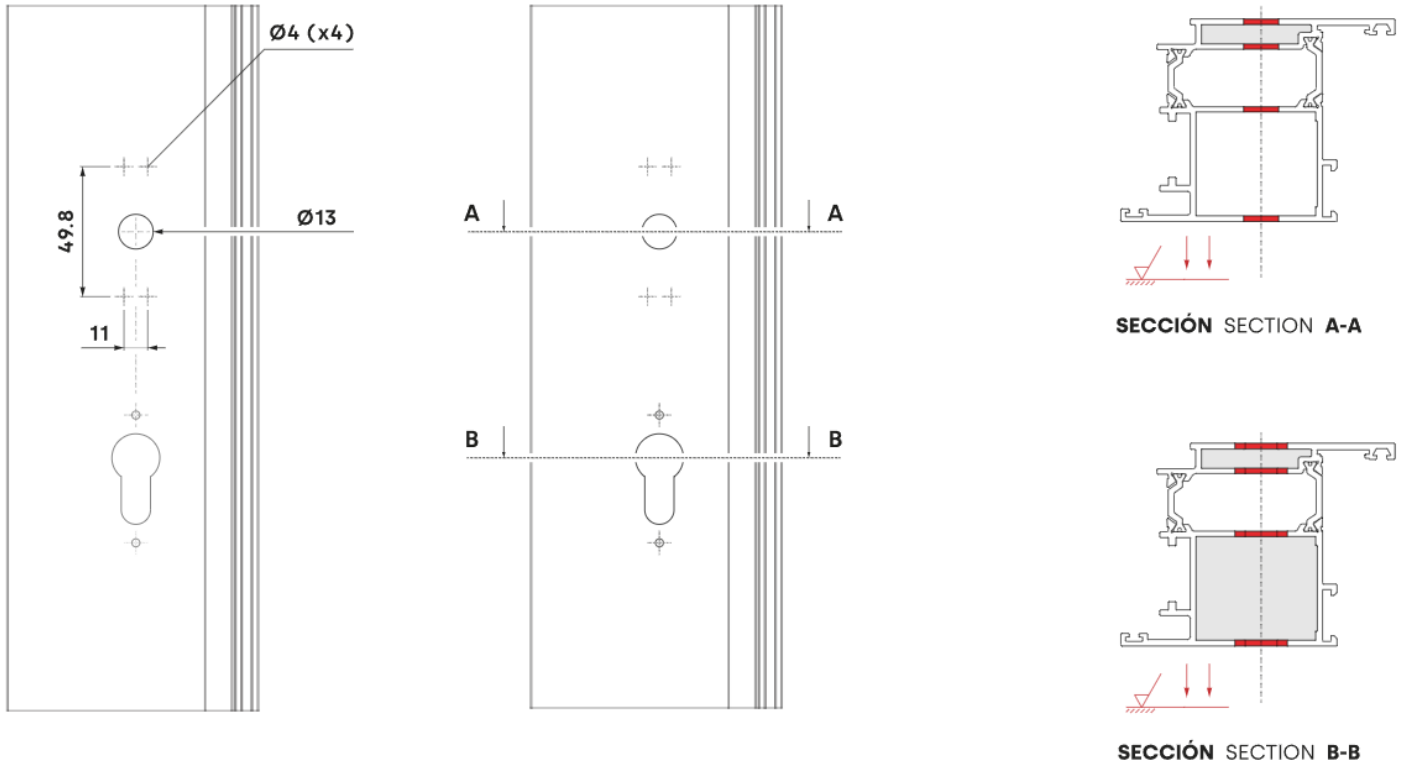
References

A05084 ** Set of CORTIZO handle with zinc plated Steel spindle 8 x 129 mm

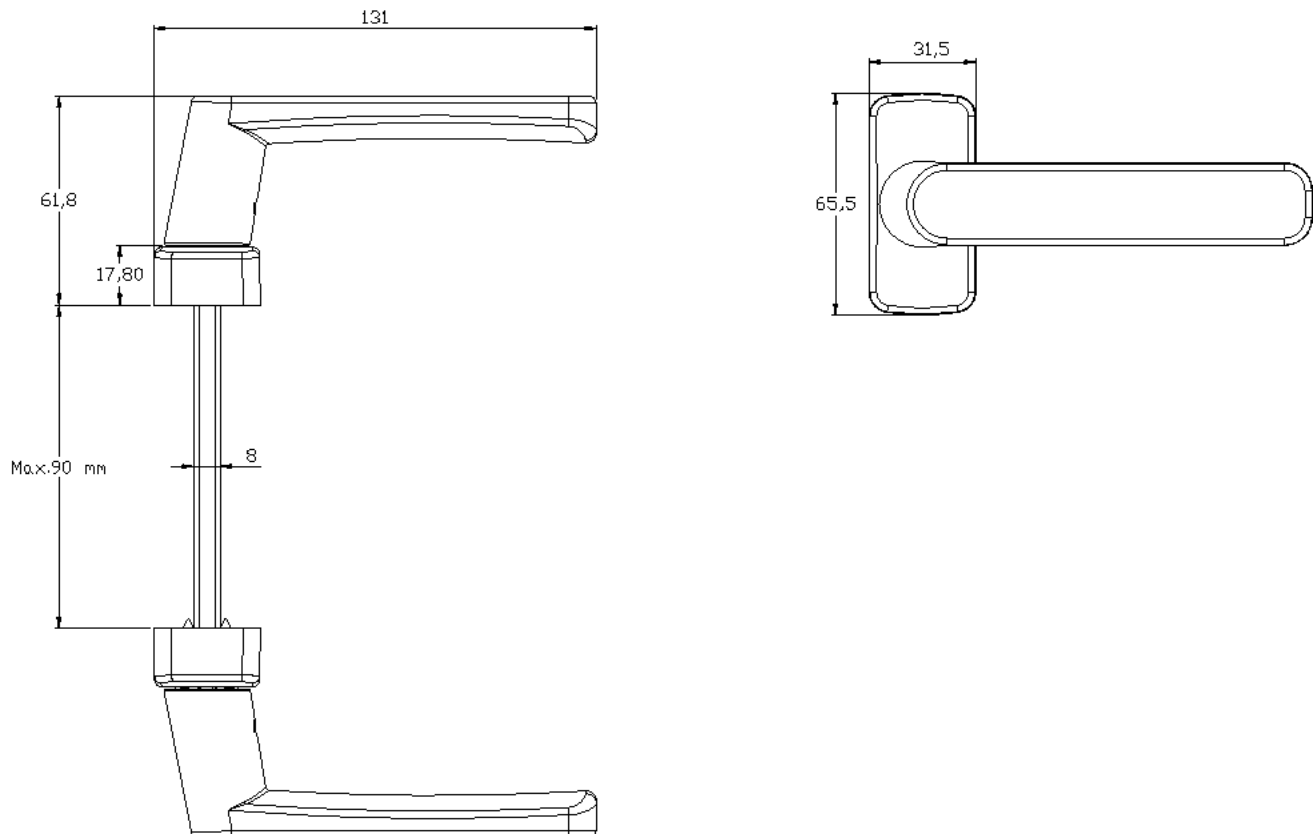
A05085 ** CORTIZO ambidextrous single handle with zinc plated Steel spindle 8 x 129 mm

** 00 Plain finish or unfinished 01 White lacquered finish 02 Black lacquered finish 91, 92, 93 Special lacquered finish

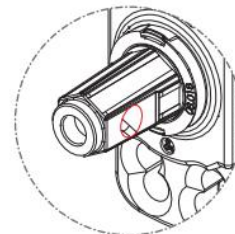
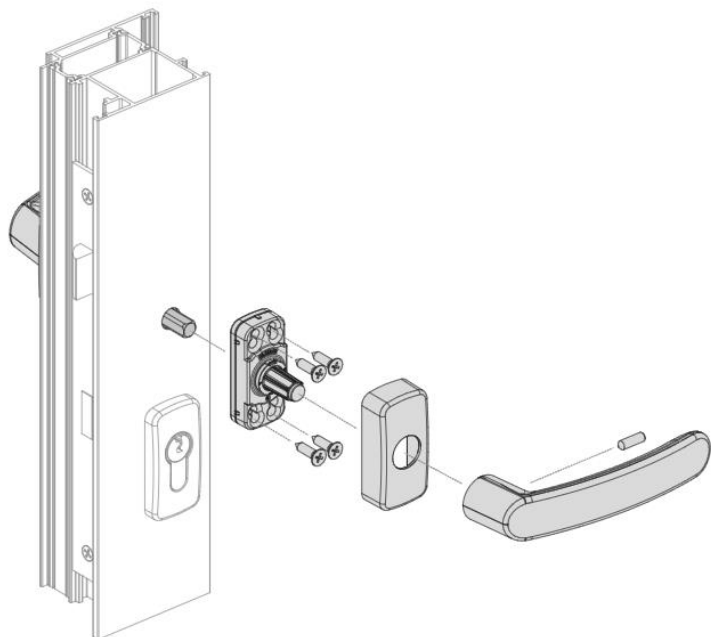
Machining profile



Overall Dimensions



Installation



POSICIONAR EL AGUJERO HACIA LA HOJA
POSITION THE HOLE TOWARDS THE SASH

